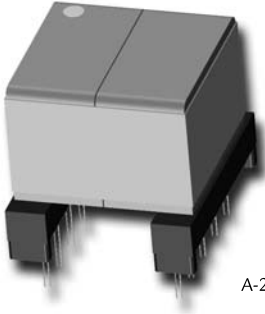


SMPS EP13 Transformer

A-2049-005

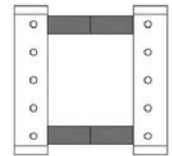
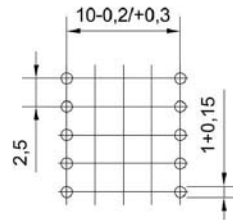
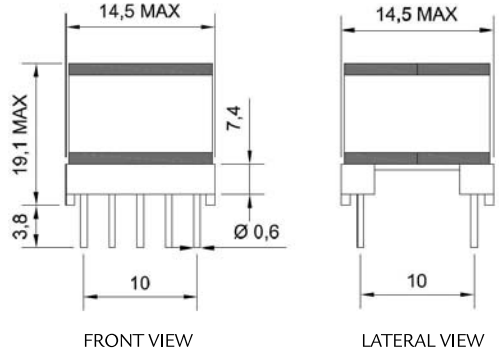


A-2049-005

Features

- Small dimensions.
- According to EN60950.
- UL1446 approved.
- RoHS Compliant.

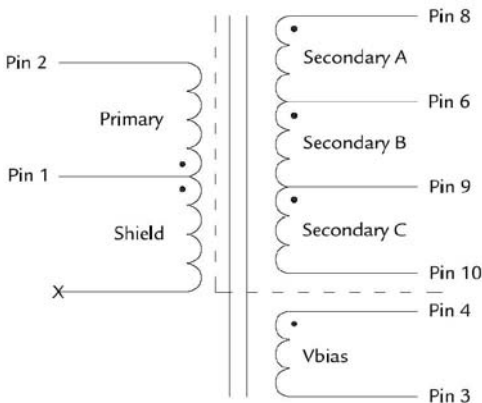
Dimensions



Electrical parameters

Topology	FLYBACK	
Input voltage	85-265Vac	
Output	Secondary A	1,8Vdc/1,2A
	Secondary A+B	3,3Vdc/0,65A
	Secondary A+B+C	5Vdc/0,17A
Switching frequency	132kHz	
D max.	0,5	
Primary inductance	845µH ±5%	
Leakage inductance	37µH typical	
Estimated losses	Copper losses	0,25W
	Core losses	70mW
Estimated temperature rise	30°C	
Operating temperature	-20 ~ +70°C	
Storage temperature	-20 ~ +130°C	
Isolation Primary/Secondaries	3kVac	
Isolation Primary/Core	1,5kVac	
Isolation Secondaries/Core	1,5kVac	

Electrical diagram

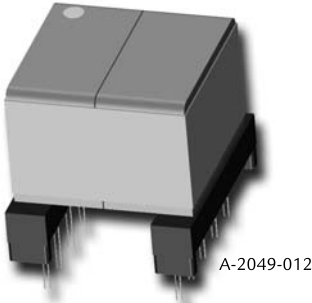


Standards
EN60950 compliant.
According to RoHS directive.
Materials UL listed.

Packaging
Antistatic tray.

SMPS EP13 Transformer

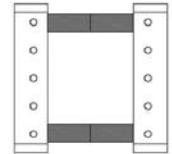
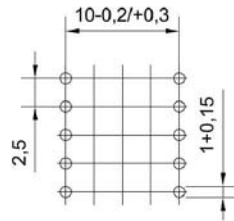
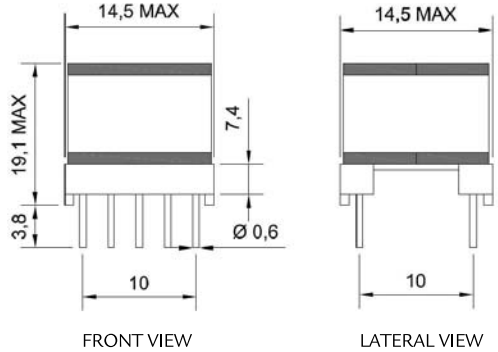
A-2049-012



Features

- Small dimensions.
- According to EN60950.
- UL1446 approved.
- RoHS Compliant.

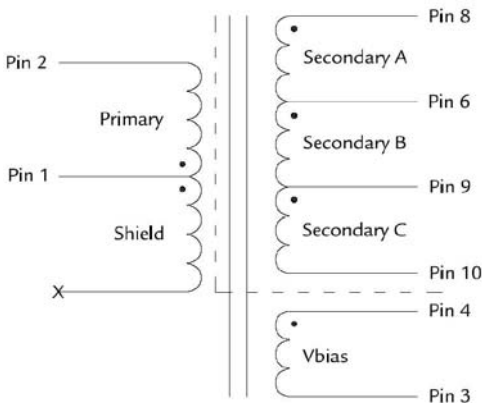
Dimensions



Electrical parameters

Topology	FLYBACK	
Input voltage	85-265Vac	
Output	Secondary A	1,8Vdc/1,2A
	Secondary A+B	3,3Vdc/0,65A
	Secondary A+B+C	5Vdc/0,17A
Switching frequency	132kHz	
D max.	0,5	
Primary inductance	920µH ±5%	
Leakage inductance	50µH max.	
Estimated losses	Copper losses	0,25W
	Core losses	70mW
Estimated temperature rise	30°C	
Operating temperature	-20 ~ +70°C	
Storage temperature	-20 ~ +130°C	
Isolation Primary/Secondaries	3kVac	
Isolation Primary/Core	1,5kVac	
Isolation Secondaries/Core	1,5kVac	

Electrical diagram



TOP VIEW
Recommended
PCB layout

BOTTOM VIEW
View in terminals
side

Standards
EN60950 compliant.
According to RoHS directive.
Materials UL listed.

Packaging
Antistatic tray.